



02 SERIES ELECTRONIC FLOWMETER WITH SCALED PULSE OUTPUT

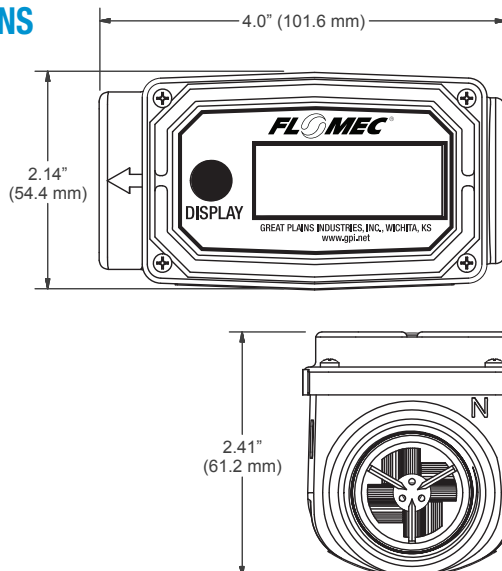
The **FLOMEC[®] 02 Series** is a lightweight, accurate and reliable turbine meter. Choose the 02 Series for thin viscosity fluid applications.

- Available in Aluminum or Nylon
- Virtually maintenance free
- Display powered by two AAA batteries
- Offers one pulse per unit (gallons and litres)

FEATURES / BENEFITS

- Complete meter, including turbine assembly, microprocessor and LCD readout.
- Two Totals: Batch (Resettable to measure flow during a single use) and Cumulative (Non-resettable, to provide continuous measurement).
- Remote monitor option to connect to an external system (NPN Open Collector Pulse)
- Lightweight, compact design allows for easy installation.
- Display powered by two AAA alkaline batteries that are easy to replace, with the meter installed.

DIMENSIONS



PRODUCT CONFIGURATION

PRODUCT IDENTIFIER **1**

02 = Electronic Digital Flowmeter

HOUSING CHOICE **2**

A = Aluminum
N = Nylon

FITTING TYPE **3**

12 = 1" BSPT (Female)
31 = 1" NPT (Female)
52 = 1" BSPP (Female)
X = No Turbine

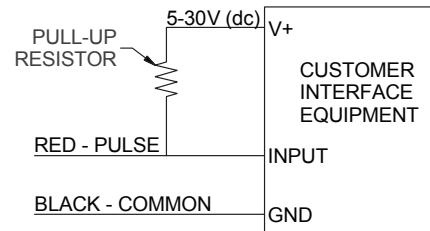
CALIBRATION **4**

GM = Gallons / Minute
LM = Litres / Minute
XX = No Computer

1 2 3 4
--->>>> **02 N 31 GM**

INTERNAL PULL-UP RESISTOR

Some interface devices may not have an internal pull-up resistor. Use a minimum 820 ohms resistor if necessary.



APPLICATIONS

- Irrigation
- Building Automation (Chillers)
- Programmable Logic Controller (Batch Control)
- OEM (connect to flow switch - low cost meter)
- Connect to flow switch
- Diesel & Fuel Oil
- Data Logger
- Wireless Communication
- Numerous water applications
- Batch Controller

SPECIFICATIONS

Fitting Size / Fitting Type:	1" BSPT (Female)
	1" NPT (Female)
	1" BSPP (Female)
Flowrate:	3 - 30 GPM 11 - 113 L/min
Accuracy (% of Reading):	± 5.0%
Pressure Rating:	150 psi (10.3 bar)
Operating Temperature Range:	+14° F to +130° F (-10° C to +55° C)
Pulse Out Description:	Open Collector (a.k.a. NPN or Current Sinking)
Pulse Duration:	250 ms
Pulse Amplitude:	5 to 30 V (dc)
Scaling:	One pulse per Gallon or Litre
Cable Length:	5 ft. (1.5 m)

Wetted Materials (Aluminum):	Housing:	Aluminum
	Bearings:	Ceramic
	Shaft:	Tungsten Carbide
	Rotor:	Nylon
	Rings:	316 Stainless Steel
	Signal Generator	Ferrite
Wetted Materials (Nylon):	Housing:	Nylon
	Bearings:	Ceramicw
	Shaft:	Tungsten Carbide
	Rotor:	Nylon
	Rings:	316 Stainless Steel
	Signal Generator	Ferrite

APPROVALS



Service & Warranty: For technical assistance, warranty replacement or repair contact your **FLOMEC®** or **GPI®** distributor: In North or South America: **888-996-3837 / FLOMEC.net**
Outside North or South America: **+61 2 9540 4433 / FLOMEC.net**